



Black Line Air Operated Diaphragm Pumps

Model 1/2"

Construction materials: PP Body, PP Center Section

New pump line with a brand new design that offers reinforced pumping potentials. The updated design provides even better performance while reducing costs.



II 2/2 G/D Ex h IIC T4 Gb/Db
I M2 Ex h Mb



Features

- ✓ Optimal performance
- ✓ Economical air consumption, ecological designing
- ✓ High efficiency for pressure/capacity • Oil free operation
- ✓ No freezing
- ✓ New air valve designing, fully controlled air passing
- ✓ Easy disassembling and re-assembling
- ✓ New generation diaphragms with embodied piston for long life operation
- ✓ Possibility to be used in dirty environments due to their closed design.
- ✓ Easy manifold reversal.
- ✓ No priming required
- ✓ Twin manifold option (two suction and two delivery)
- ✓ Excellent performance and value for money
- ✓ Ideal for abrasive, viscous, and shear sensitive media

BlackLine Nomenclature

Pump model	Pump Body	Center block	Diaphragms	Ball Seats	Balls	O-ring	Other Options
BlackLine 115	P : PP PC : PP+CF V : PVDF+CF A: ALUMINUM AL-233	P: PP PC : PP+CF	N: NBR Conductive E: EPDM Conductive F: VITON Conductive T: Compound PTFE+EPDM Conductive	N: NBR E: EPDM P: PP V: PVDF A: ALUMINUM S: AISI 316	N: NBR E: EPDM T: PTFE S: SS 316	N: NBR E: EPDM T: PTFE F: VITON	D: Twin Manifold F: Flange PN10/ANSI/JIS

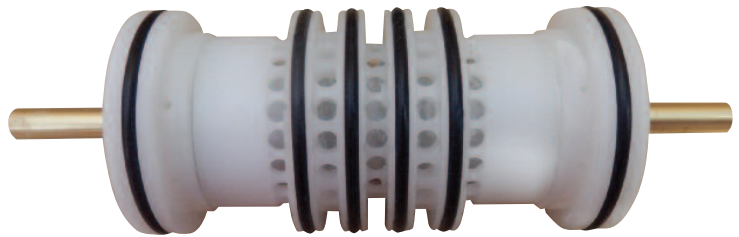


BlackLine Air Operated Diaphragm Pumps

BlackLine oil free air valve

The heart of the BlackLine pump is our newly designed, innovative air valve. The new air valve was crafted with the current era of demands in mind, while offering a high-quality product that also focuses on the protection of the environment. The air valve of the BlackLine pumps has been created to offer:

- ✓ Non freezing operation
- ✓ Low need for maintenance
- ✓ Not affected by minor contamination of compressed air
- ✓ Significant energy saving
- ✓ Oil free operation
- ✓ External environment operation
- ✓ No dead center
- ✓ Long life
- ✓ Reliable



Advanced Melded Diaphragms Features

- ✓ Easy installation and maintenance
- ✓ Excellent service life
- ✓ Inventory cost reduction
- ✓ Improved performance
- ✓ Greater displacement per cycle
- ✓ No center hole, elimination of potential leak paths.
- ✓ There is no need for the main axis to be insured
- ✓ They can be screwed and unscrewed without the use of tools



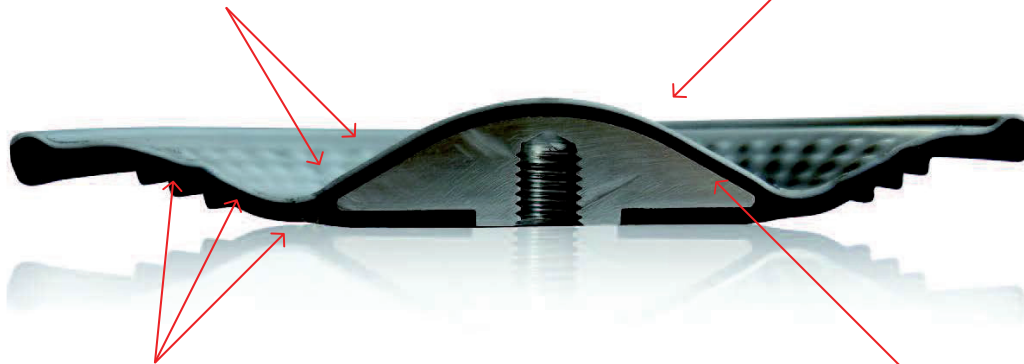


Black Line Air Operated Diaphragm Pumps

Advanced Melded Diaphragm Details

The prominences decrease the stretching of the PTFE during the regression and prevent it from cracking.

Innovative conical shape ideal for optimal performance and life, low pressure requirements for start-up, ideal suction



Innovative diaphragm support side offers flexibility, long life and protects from cavitation.

Special internal plate supports your diaphragm in every movement creating superior support

Advanced Melded Diaphragm Spec

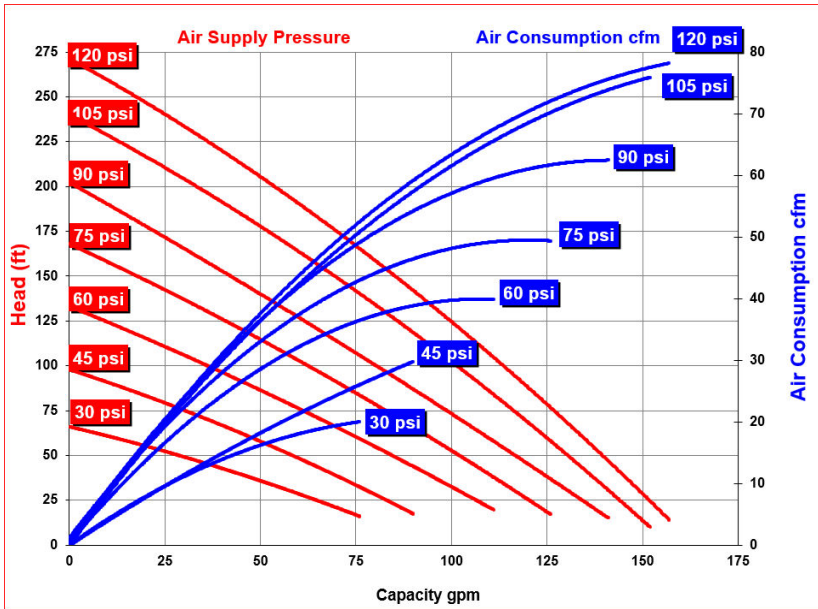
ATEX Certifications	 STANDARD : II 3/3 G/D Ex h IIB T4 Gc/Dc CONDUCT : II 2/2 G/D Ex h IIC T4 Gb/Db – I M2 Ex h Mb
Construction	PP-Body, PP-Center Section
Material Diaphragms	T: Compound PTFE + Backup (EPDM Conductive)
Intake/delivery connections	1/2" BSP with Type F Male PP Camlock adapter included
Air connection	1/2" with NPT Adapter included
*Max. flow rate	20 Gpm (74 Ltr/m)
*Max. flow pressure	116 Psi (8 Bar)
Operating pressure	Min 29 Psi (2 Bar) - Max 116 Psi (8 bar)
Max. suction head (Dry)	10 Ft (3 Mtr)
Max. size of solids	1/8 In (3.0 mm)
Max. operating	PP 60°C
Temperature	203°F (95°C)
Weight PP , PP+CF	9 Lbs (4.0 Kg)

* The curves and performance values refer to pumps with submerged suction and a free delivery outlet with water at 68°F (20°C), and vary according to the construction material.

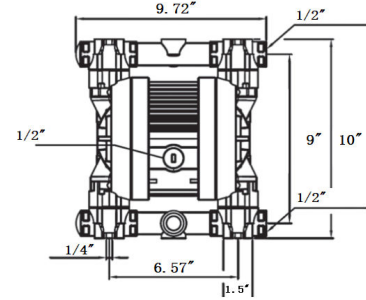


BlackLine Air Operated Diaphragm Pumps

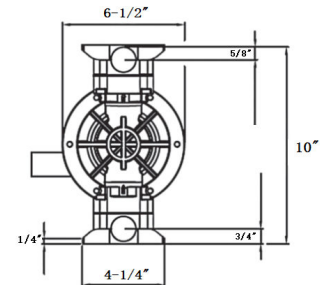
Melded Diaphragm Performance



Front View



Side View



Bottom View

